

# 1-103SL Slide Shoe for Cams

Tool-less assembly, Slide shoe for cams, 2 parts - shoe and latch

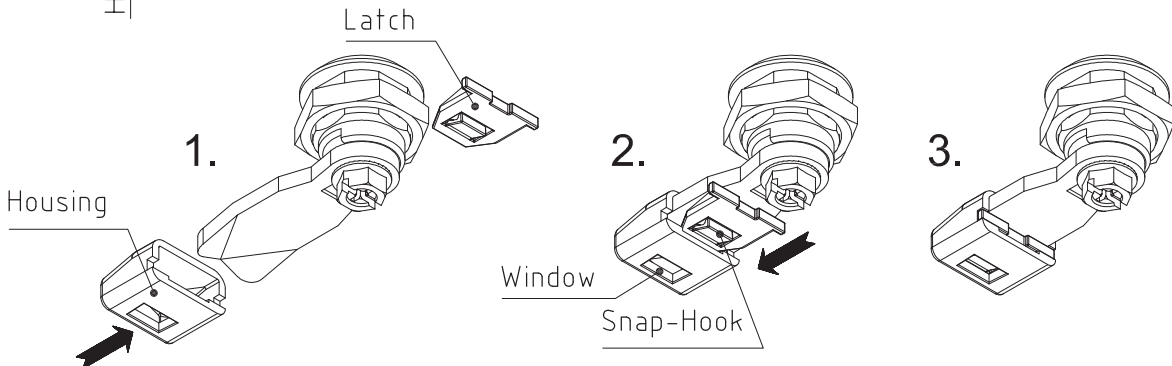
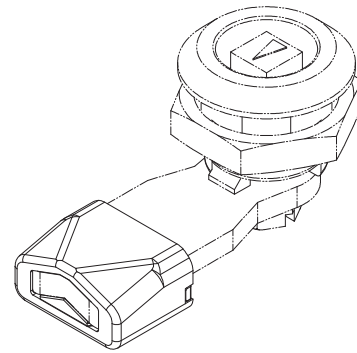
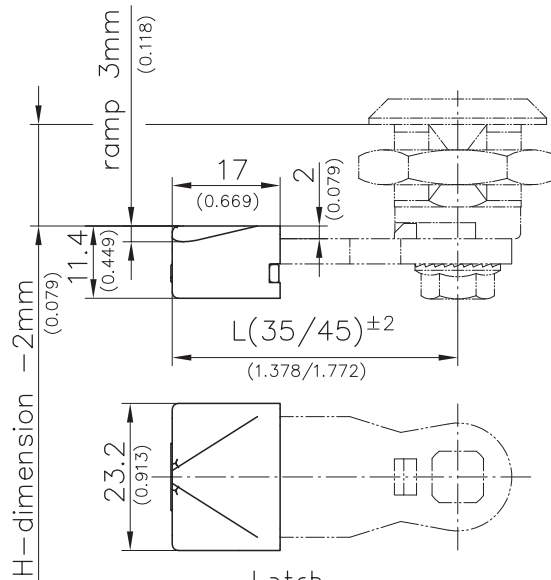
## Product Notes:

- Can be applied to any 35mm and 45mm single or 3-point cam having the standard 3mm ramp
- **Not suitable for 3-point cams of Product System 2-150 and 1-102**
- Allows cam to slide easily during rotation, eliminating metal-to-metal friction often resulting in surface scratches and paint chipping. Fallen metal parts can cause damage to equipment
- Low coefficient of friction thereby ideal gliding against metal panels
- Tool-less assembly and disassembly
- Vibration resistant
- Can be installed onto a pre-assembled Quarter-Turn after sliding through cutout.
- Can be retrofitted to any application
- **NOTE:** The H-dimension is reduced by 2mm

- The slide shoe **cannot** be used with the following cams: 200-0606, 200-0608, 200-0610, 200-0613, 200-0614, 200-0402, 200-0404, 200-0406, 200-0408 and 200-0410.

## Material:

- **Slide shoe:** POM, Natural



The Housing will be pushed onto the cam until it aligns with the cam.

The Latch will be pushed underneath the cam into the remaining space until the snap-hook is latched into the window audibly.

Fitted position

Slide shoe

Part No.  
200-9622